

6

5

4

3

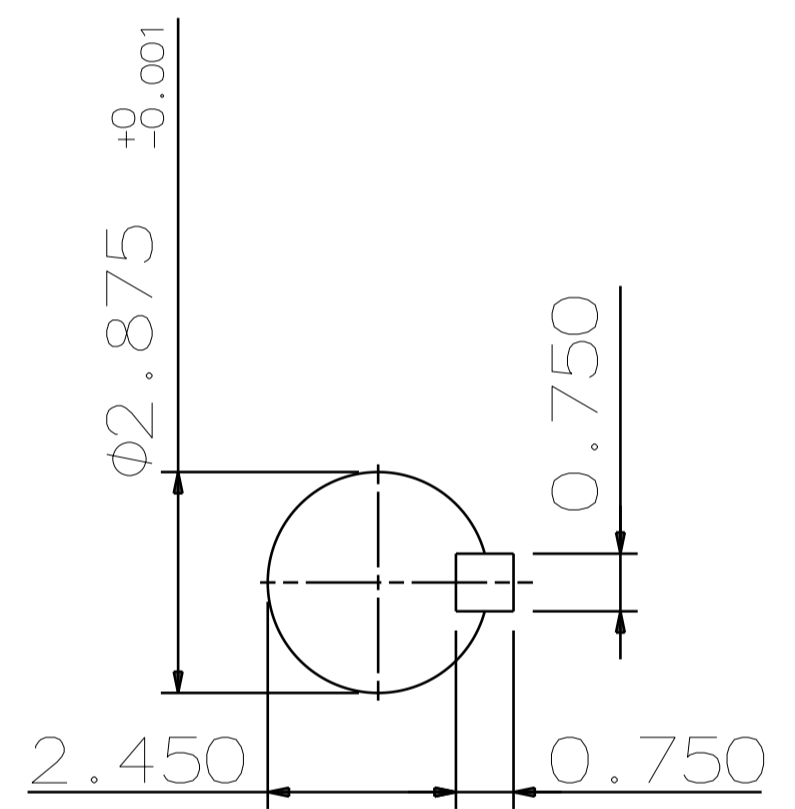
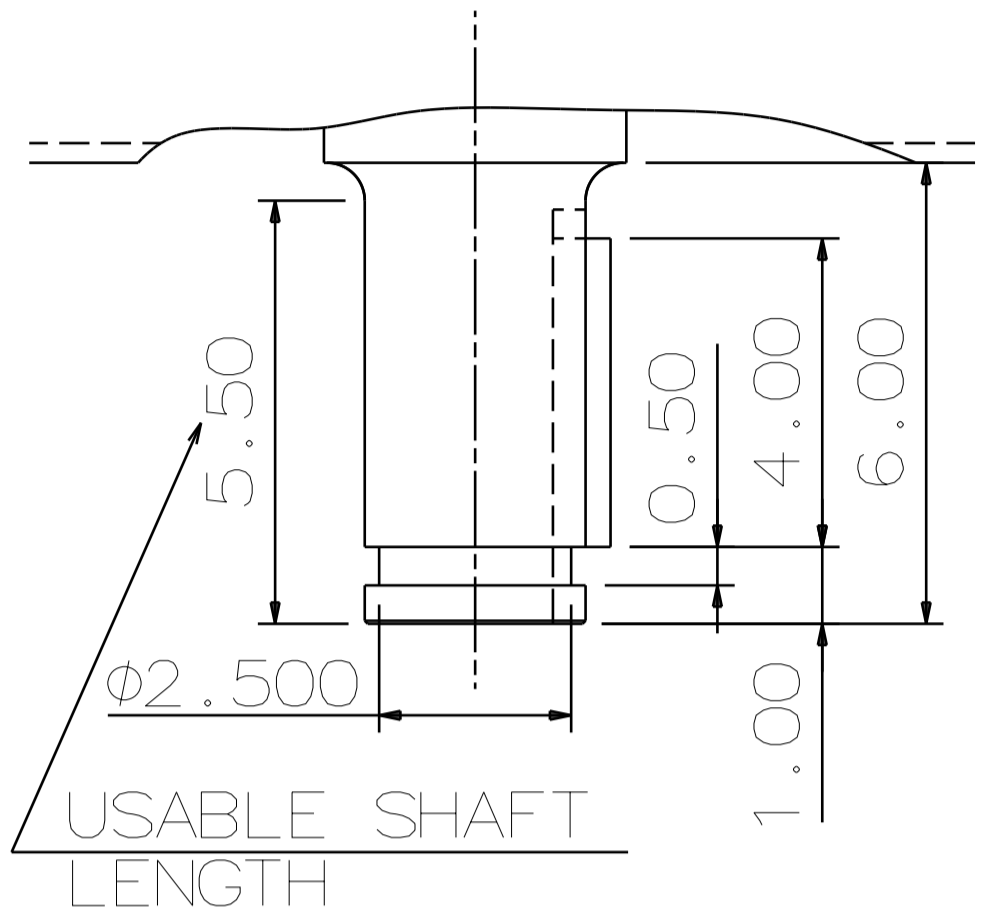
2

1

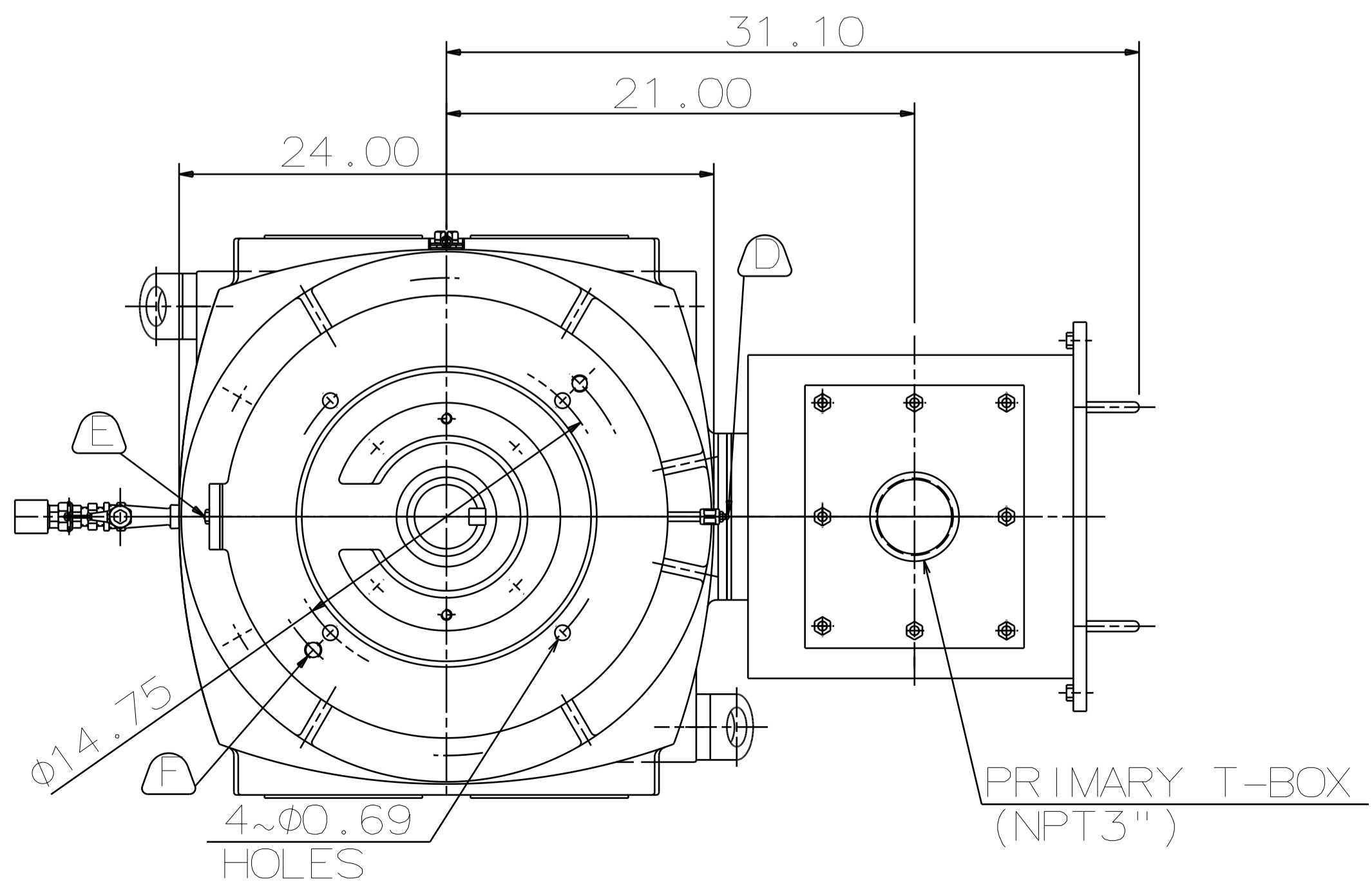
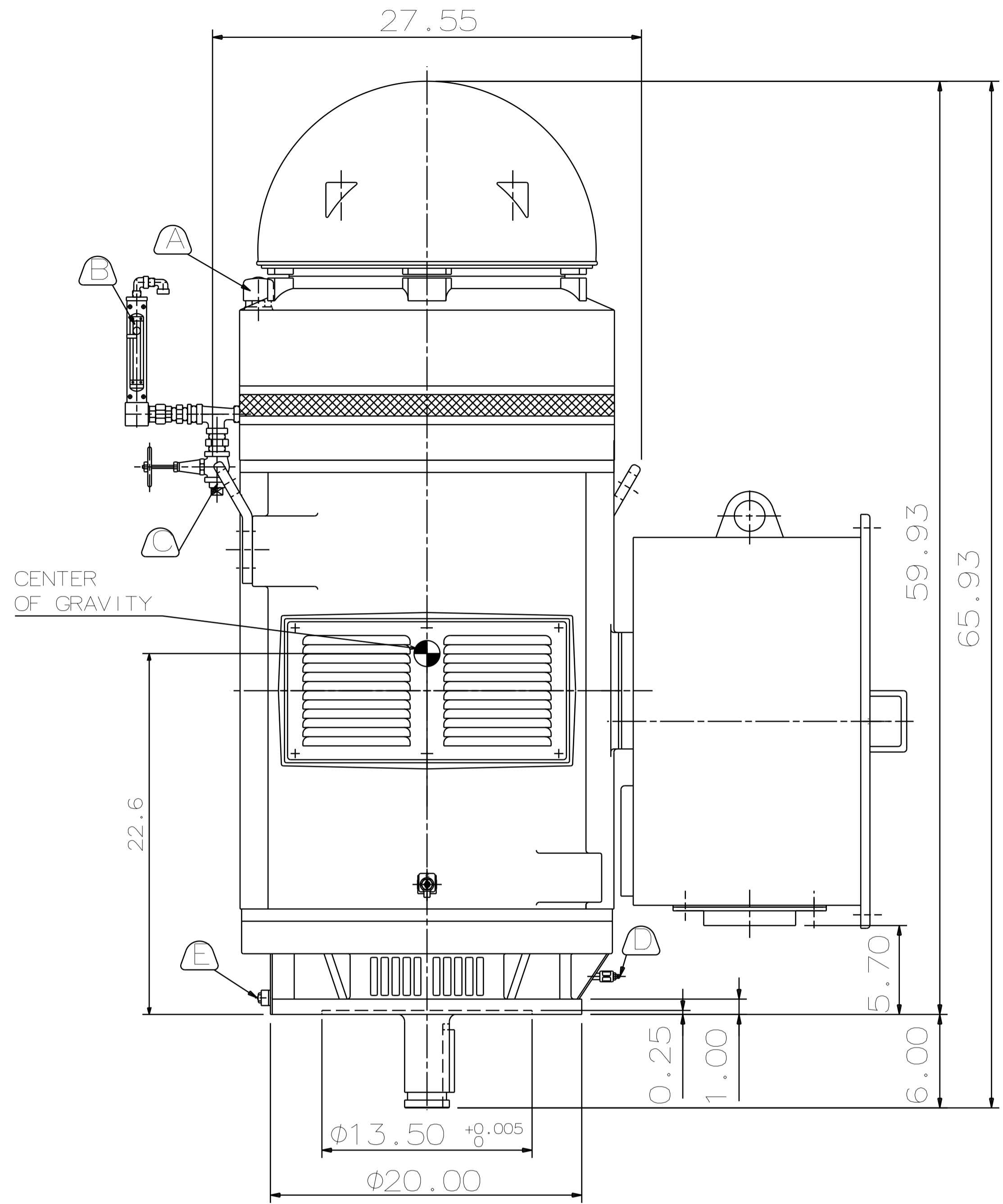
TYPE	OUTPUT		POLE	TIME RATING	VOLTAGE V	Hz	SYN. SPEED R.P.M
	HP.	kW.					
AMRKED	200	149.1	6	CONT	2300/4000	60	1200

ENCLOSED VENTILATED VERTICAL SOLID SHAFT TYPE, SQUIRREL CAGE ROTOR  
NEMA WEATHER PROTECTED TYPE 1

- NOTE:
1. DIMENSIONS IN INCH
  2. FRAME NO. 449VP
  3. F CLASS INSULATION, S.F. 1.15
  4. FOR DIRECT COUPLING.
  5. BEARING SIZE:  
UPPER BEARING: 7326B [UNINSULATED]  
LOWER BEARING: 6318C3 [UNINSULATED]
  6. LUBRICATION:  
UPPER BEARING USE OIL.  
OIL VISCOSITY: ISO VG68 [300 SSU/100°F]  
OIL QUANTITY: 5.0GAL.  
LOWER BEARING USE MOBIL POLYREX EM GREASE.
  7. ROTATION: COUNTER-CLOCKWISE (VIEWED FROM TOP).
  8. WITH NON-REVERSE RATCHET MECHANISM.
  9. APPROXIMATE WEIGHT: 3030
  10. DOWNTHRUST: 11,200 LBS (L10-8800HRS)
  11. REED FREQUENCY: 36 HZ
  12. SPACE HEATER RATED AT 120 VOLT, SINGLE PHASE, 200 WATTS, LEADS TERMINATE IN MAIN LEAD BOX.



CENTER OF GRAVITY



- (A) OIL FILLER [UPPER BEARING]
- (B) OIL GAUGE [UPPER BEARING]
- (C) OIL DRAIN [UPPER BEARING]
- (D) GREASE INLET NIPPLE [LOWER BEARING]
- (E) GREASE OUTLET [LOWER BEARING]
- (F) 2~M16 VERTICAL JACKING HOLES 180° APART IN MOTOR BASE.
- (G) M10 TAPPED HOLE IN MOTOR BASE WITH GROUNDING TERMINAL [R38-10] & BOLT LOCATED AS SHOWN.

DATE DEC 08 2016	OUTLINE DIMENSIONS	
VSKP2006	3-PHASE INDUCTION MOTOR	
TECO Westinghouse		DWG NO. REV:00 4B040L477

DWN.	Y. YANG	JUN.02.2015
CHKD.	R. LEE	JUN.02.2015
APPD.	C. LIU	JUN.02.2015

6

5

4

3

2

1